

Padlock, Hockey Puck Format

Part number: PL-HP1, Key Retaining

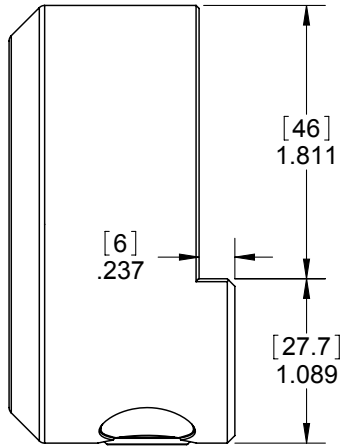


Standard Cylinder Custom Cylinder

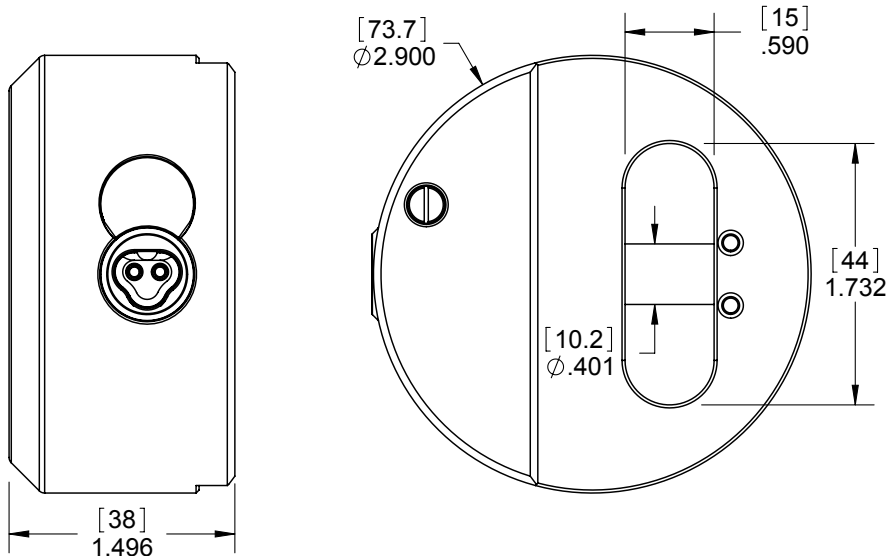
The CyberLock hockey puck is a high-security padlock with a solid stainless steel body and shackle. It features a drill-resistant core with carbide balls and hardened steel drill-resistant pins. It has a stainless steel face and contact pins, as well as a stainless steel housing that encases the core's electronics.

The lock hasp is completely protected, so is not vulnerable to bolt cutters when in a locked position. This padlock offers the highest security against physical attack.

Applications include gates, cages, or anywhere where lock hasps are vulnerable.



Notes:
 Dimensions in inches (mm)
 Drawing not to scale
 Ø indicates diameter



Common Hardware Specifications

Keys

- A key cannot be duplicated
- A key remembers up to 3900 events with date and time
- A standard user key can access up to 3300 locks
- A key contains the scheduled access days & times
- A key holds the battery power source
- Operating temperature: 32° to 122° F; 0° to 50° C

Locks

- Locks have no keyway to pick
- Locks store the last 1100 events with date and time
- No limit to the number of keys that a lock can support
- Locks are resistant to electrical charge, magnetic force, and torque
- Operating temperature: -40° to 160° F; -40° to 70° C

CyberLock Management Levels

EntryPoint™ is a hardware-only system; no software is required. All keys have 24/7 access to all locks. A complete system requires locks, keys, and a Grand Master.

CyberAudit®-Web Lite is a PC or Macintosh browser-based software program that installs on a desktop computer with basic access control features. A complete system includes locks, keys, communicators, a Grand Master, and Lite software. Intended for systems up to 50 locks and 50 keys.

CyberAudit-Web Professional is a PC or Macintosh browser-based software program that installs on a desktop computer or on a server. Web Professional uses an internet browser to navigate to your hard drive or server within your network. Professional supports a small number of concurrent users when installed on a server. A complete system includes locks, keys, communicators, a Grand Master or CyberLock Programmer, and the Web Professional software. Intended for systems up to 500 locks and 500 keys.

CyberAudit-Web Enterprise is browser-based software installed on an application server. A complete system includes locks, keys, the Enterprise server, one or more communication devices, and a Grand Master. Intended for large or geographically widespread installations.

CyberLock System Features Chart

- Resetting locks and adding or deleting keys to a system is done via the software; no need to install new locks or re-key your facility when a key is lost.
- Programmed schedules provide control over specific days and times that a key will operate.
- Holidays may be set as exceptions to the schedules.
- Key expiration dates are managed automatically by software, either with rolling or fixed expiration dates.

	EntryPoint	Lite	Professional	Enterprise
CyberLocks®	•	•	•	•
CyberKeys®	•	•	•	•
CyberPoints®			•	•
Grand Master Keys	•	•	•	•
IR Encoder		•	•	•
Web/LAN/Modem Authorizer®			•	•
USB Station		•	•	•
WebStation			•	•
CyberKey Vault			•	•
CyberKey Vault 20				•
PDA Cell Phone				•
Audit Trail		•	•	•
Schedule Keys		•	•	•
Master Keys			•	•
Expire Keys		•	•	•
Lost Keys			•	•
Multiple Key Mode and Delay			•	•
Email Notifications			•	•
Hierarchy of Administrators				•
Grouping of Locks and People			•	•
Grouping of Access Permissions			•	•
User Keys Download Locks		•	•	•
User Keys Program Locks				•
Missions				•
Multiple Time Zones				•
Shared Locks				•